

PRESSFLOW

*EQUIPMENT PVT.LTD*



# ABOUT PRESSFLOW:-

- **PRESSFLOW EQUIPMENT PVT. LTD.** emerged from Fine Engineering, founded by Mr. Abul Faiz. Initially focused on precision engineering, the company evolved to specialize in fluid control technology, delivering innovative, high-quality solutions for fluid management.
- The state-of-the-art 8,000 sqft facility blends skilled craftsmanship with advanced machinery, ensuring rigorous quality standards and meeting high production demands. The company values customer feedback to continuously enhance its offerings.
- Now led by Mr. Abul Faiz's son, PRESSFLOW EQUIPMENT is set to expand its operations and uphold its commitment to excellence. It serves key sectors such as aerospace, chemicals, oil and gas, water treatment, hydraulics, marine, petrochemical, and power generation, providing tailored solutions for reliability and performance. PRESSFLOW EQUIPMENT stands out as the preferred choice for fluid control solutions, setting industry standards for quality and innovation

## WHY US :-

- *Tailored Solutions: We offer customized products that meet the specific needs of each client.*
- *Uncompromised Quality: Our strict quality control ensures reliability and durability in every solution.*
- *Dedicated Support: Our responsive team is always available to assist clients promptly.*



# CONTENT:-

## ABOUT PRESSFLOW

Ball Valve ( hand lever ) 2 way

Ball Valve (Panel Mounting) 2 way

Ball Valve (Panel Mounting) 3 way

Angular needle valve

Straight needle valve

Pressure relief valve

Non return valve

Forward Pressure Regulator

Back pressure regulator

Inline Filter

Thermowell

Fittings



# BALL VALVE (HAND LEVER ) 2 WAY

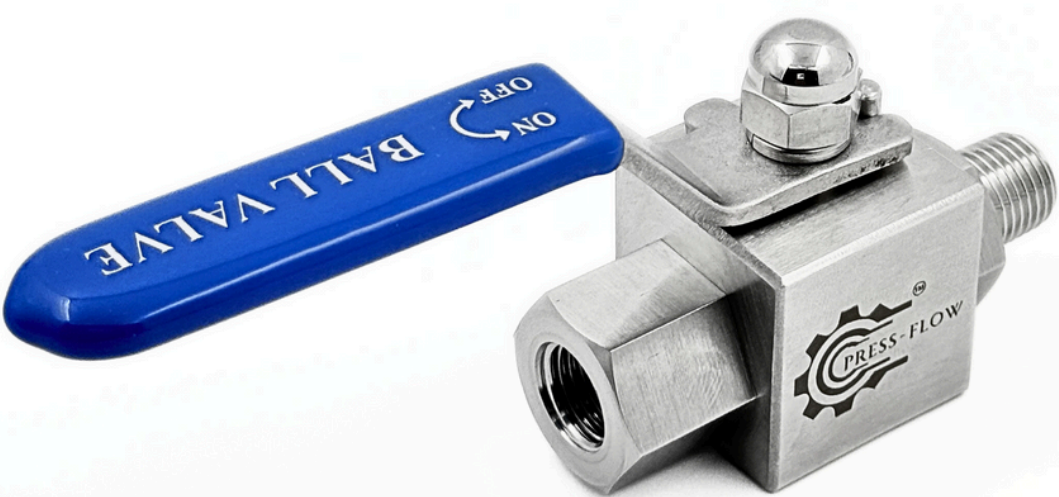
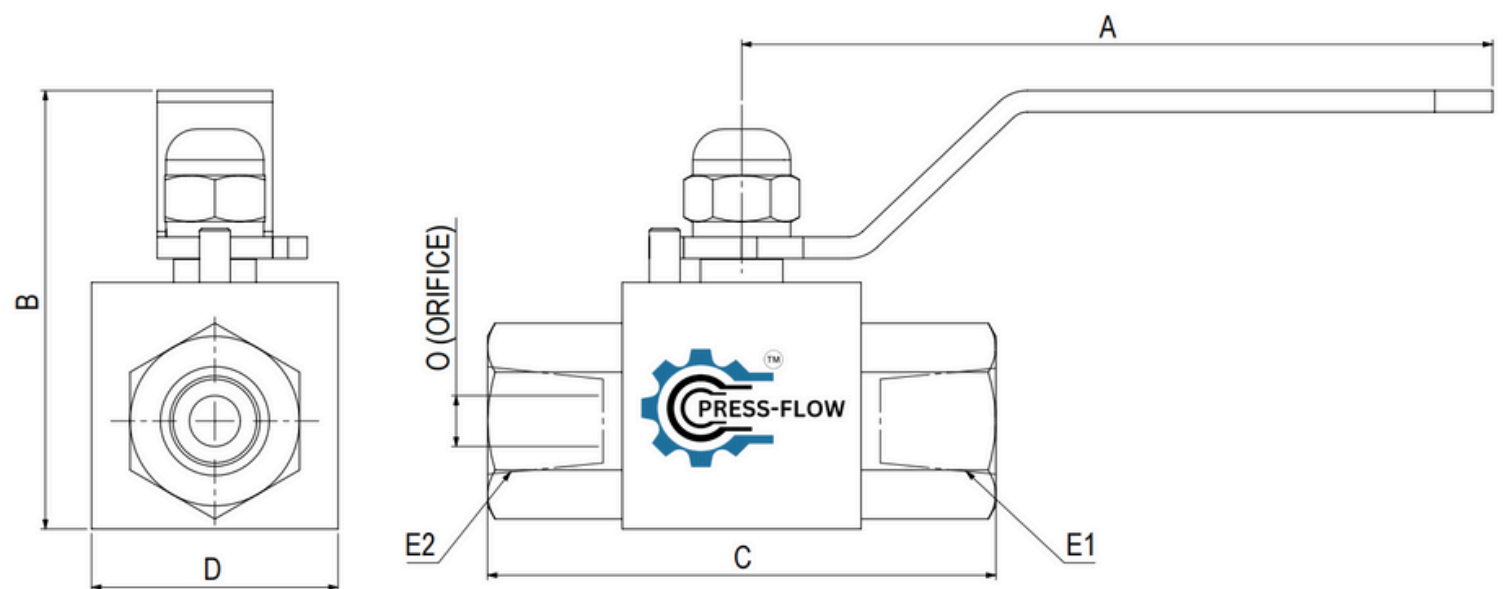


## PRODUCT DESCRIPTION :-

The 3-Piece Compact Design Square Body Valve is a lever-operated valve designed for high performance and durability. It features optimized operating torque, a leak-proof floating ball design for high-pressure shut-off, and customizable pressure and temperature resistance based on seat materials. With an internally loaded stem and anti-blowout design for added safety, this valve is 100% factory-tested and comes with replaceable seats and packing for long-term reliability. Ideal for applications in Oil & Gas, Pharmaceutical, Petrochemical, Chemical, Water Treatment, and Hydraulic Equipment industries.

## TECHNICAL SPECIFICATION:-

- MOC:-STAINLESS STEEL 316 , 304 HASTELLOY 276, INCONEL 625 , MONEL 400.
- SIZES:- 1/4"TO 1" FULL & REDUCE BORE OPTIONS
- END CONNECTIONS:- NPT , BSPP , BSPT (MALE & FEMALE)
- SEAT:- PTFE , CFT , PEEK
- PRESSURE RANGE :- UPTO 10,000 PSI AT 25°C
- TEMPERATURE RANGE:- 25 to 350°



Size	Part No	Dimensions are in mm				End Connection Size				Orifice
		A	B	C	D	E1	Code	E2	Code	
1/4"	PF_HLBV_14	98	57	66	32	BSPP	BP	BSPP	BP	6.5
3/8"	PF_HLBV_38	98	57	66	32	NPT	N	NPT	N	8.5
1/2"	PF_HLBV_12	116	65	79	38	BSPT	BT	BSPT	BT	11.5
3/4"	PF_HLBV_34	155	77	100	45					15
1"	PF_HLBV_01	155	83	110	45					19

MOC	Code	End Type	Code	Packing	Code	PEEK				
SS316	S6	Male	M	PEEK	P	Pressure	3000 psig	6000 psig	10000 psig	15000 psig
SS304	S4	Female	F	CFT	C	Tempreture	150 deg.c	150 deg.c	50 deg.c	25 deg.c
HC276	HC6			PTFE	PE					
Monel400	MN4									
Inconel 625	IN6					Pressure	3000 psig	6000 psig	3000 psig	6000 psig
						Tempreture	200 deg.c	25 deg.c	150 deg.c	25 deg.c

Item Code	Item Discription
PF_HLBV_14_BPM_BPF_S6_P	Hand Lever Ball Valve 1/4" BSPP(M) X BSPP(F)_SS316_Peek

- 1) Dimension are for Reference only Are Subject to change.
- 2) Customize End Connection & Sizes are Available as per Requirement.

# BALL VALVE (PANEL MOUNTING) 2 WAY

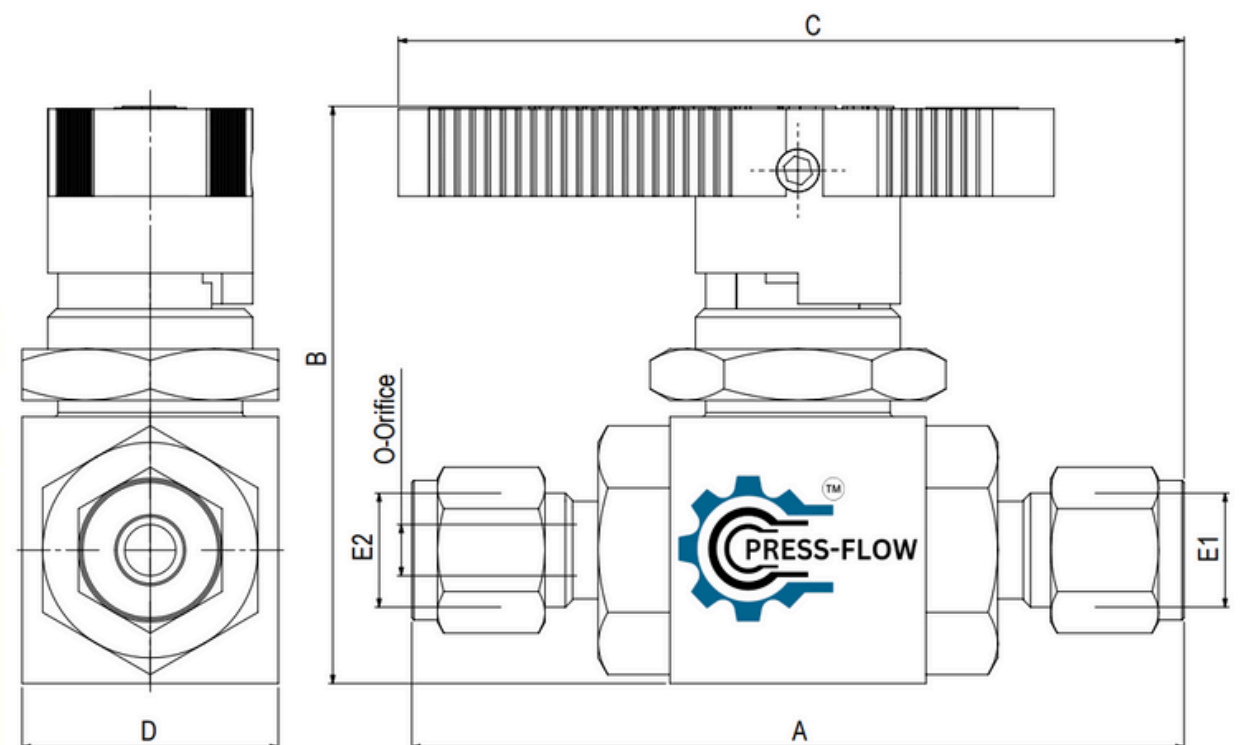


## PRODUCT DESCRIPTION: -

Our Panel Mounted Mechanical Ball Valve features a compact 3-piece square body design, offering precise control and durability for a wide range of industrial applications. With optimized operating torque for ease of use, a leak-proof floating ball design, and customizable pressure and temperature capacities, this valve ensures reliable performance even under high-pressure conditions. Fully hydro-static and pneumatic tested, it is 100% factory tested, with replaceable seats and packing for long-term maintenance. Ideal for industries like oil and gas, pharmaceuticals, petrochemicals, water treatment, and hydraulics.

## TECHNICAL SPECIFICATION: -

- MOC: - STAINLESS STEEL 316 , 304 , HASTELLOY 276 , INCONEL 625 , MONEL 400 .
- SIZES: - 1/8" TO 1" FULL & REDUCE BORE OPTIONS
- END CONNECTIONS: - NPT , BSPP , BSPT , OD (MALE & FEMALE)
- SEAT: - PTFE , CFT , PEEK.
- PRESSURE RATING: - UPTO 10,000 PSI AT 25 °C
- TEMPERATURE RANGE: 25° to 350 °C



Size	Part No	Dimensions are in mm				End Connection Size				Orifice
		A	B	C	D	E1	Code	E2	Code	
1/8"	PF_STPM2WBV_18	58	57	70	25	BSPP	BP	BSPP	BP	5
1/4"	PF_STPM2WBV_14	75	57	70	25	NPT	N	NPT	N	6.5
3/8"	PF_STPM2WBV_38	80	57	73	25	BSPT	BT	BSPT	BT	7
1/2"	PF_STPM2WBV_12	89	70	96	28	OD	OD	OD	OD	8.5
3/4"	PF_STPM2WBV_34	85	90	115	38					15
1"	PF_STPM2WBV_01	110	95	120	45					19

MOC	Code	End Type	Code	Packing	Code	PEEK				
SS316	S6	Male	M	PEEK	P	Pressure	3000 psig	6000 psig	10000 psig	15000 psig
SS304	S4	Female	F	CFT	C	Temperature	150 deg.c	150 deg.c	50 deg.c	25 deg.c
HC276	HC6			PTFE	PE					
Monel400	MN4									
Inconel 625	IN6					Pressure	3000 psig	6000 psig	3000 psig	6000 psig
						Temperature	200 deg.c	25 deg.c	150 deg.c	25 deg.c

Item Code	Item Description
PF_STPM2WBV_14_BPM_BPF_S6_P	Straight Panel Mounted Ball Valve 1/4" BSPP(M) x BSPP(F)_SS316_Peek

- 1) Dimension are for Reference only Are Subject to change.
- 2) Customize End Connection & Sizes are Available as per Requirement.

# BALL VALVE (PANEL MOUNTING) 3 WAY

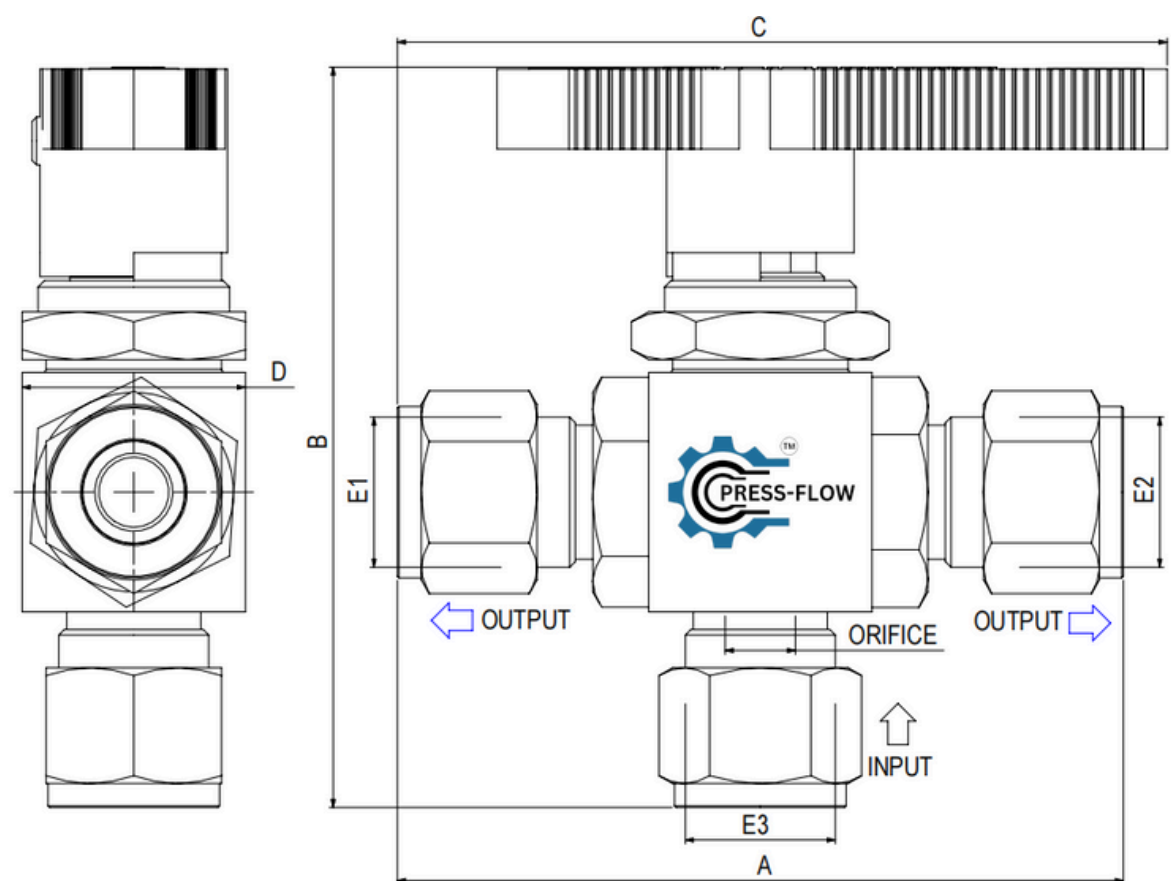


## PRODUCT DESCRIPTION :-

Our 4-piece compact square body Panel Mounted Mechanical Ball Valve combines precision and durability for exceptional control in demanding industrial applications. With optimized operating torque, it ensures smooth operation and extended service life. The floating ball design guarantees leak-proof shut-off under high pressure, while the pressure and temperature capacity can be customized based on seat material. Each valve is 100% hydro-static and pneumatic factory tested. Additionally, seats and packing are replaceable for long-term reliability. Ideal for use in Oil and Gas, Pharmaceutical, Petrochemical, Chemical Industries, Water Treatment Plants, and Hydraulic Equipment.

## TECHNICAL SPECIFICATION:-

- MOC:- STAINLESSSTEEL 316 ,304, HASTELLOY 276 , INCONEL 625, MONEL 400
- SIZES:- 1/8" TO 1" FULL & REDUCE BORE OPTIONS
- SEAT:- PTFE , CFT , PEEK
- END CONNECTIONS:- NPT , BSPP , BSPT , OD (MALE& FEMALE)
- PRESSURE RATING:- UPTO 10,000 PSI AT 25°C
- TEMPERATURE RANGE:-25° to 350 °C



Size	Part No	Dimensions are in mm				End Connection Size				Orifice
		A	B	C	D	E1	Code	E2/E3	Code	
1/8"	PF_PM3WBV_18	58	68	70	25	BSPP	BP	BSPP	BP	5
1/4"	PF_PM3WBV_14	63	68	70	25	NPT	N	NPT	N	6.5
3/8"	PF_PM3WBV_38	65	68	70	25	BSPT	BT	BSPT	BT	7
1/2"	PF_PM3WBV_12	68	81	85	28	OD	OD	OD	OD	8.5
3/4"	PF_PM3WBV_34	85	90	95	38					15
1"	PF_PM3WBV_01	110	95	120	45					19

MOC	Code	End Type	Code	Packing	Code	PEEK				
SS316	S6	Male	M	PEEK	P	Pressure	3000 psig	6000 psig	10000 psig	15000 psig
SS304	S4	Female	F	CFT	C	Temperature	150 deg.c	150 deg.c	50 deg.c	25 deg.c
HC276	HC6			PTFE	PE					
Monel400	MN4								CFT	PTFE
Inconel 625	IN6					Pressure	3000 psig	6000 psig	3000 psig	6000 psig
						Temperature	200 deg.c	25 deg.c	150 deg.c	25 deg.c

Item Code	Item Discription
PF_PM3WBV_14_BPM_BF_BPF_S6_P	Panel Mounted 3 Way Ball Valve 1/4" BSPP(M) X BSP(F) X BSPP(F) _SS316_Peek

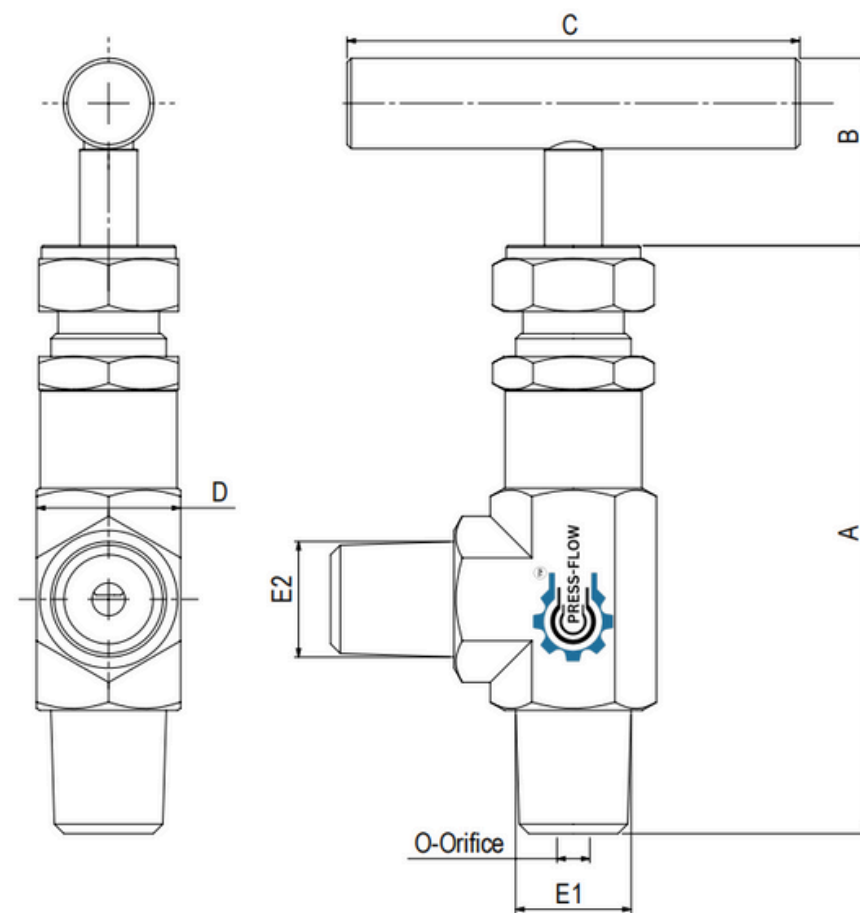
- 1) Dimension are for Reference only Are Subject to change.
- 2) Customize End Connection & Sizes are Available as per Requirement.

## PRODUCT DESCRIPTION :-

Our compact angular needle valve is engineered for precision, delivering exceptional performance in high- pressure and high-temperature applications. Designed for superior control, this mechanical needle valve ensures long-lasting durability with optimized operating torque for enhanced usability and extended service life. Pressure and temperature capacity can be customized based on seat material, making it adaptable to various demanding environments. Fully hydro-static and pneumatic tested. Additionally, the valve features replaceable seats and packing for easy maintenance and continued reliability. Ideal for use in Oil and Gas, Chemical Processing, Pharmaceutical, Petrochemical, Water Treatment, and Hydraulic Systems.

## TECHNICAL SPECIFICATION:-

- MOC:- STAINLESS STEEL 316, 304 , HASTELLOY 276 , INCONEL 625 , MONEL 400
- SIZES:- 1/4" 1/2 ARE AVAILABLE
- SEAT:-PTFE, CFT
- END CONNECTIONS:- NPT , BSPP , BSPT ,OD (MALE & FEMALE)
- PRESSURE RATING:- UPTO 10,000 PSI AT 25°C
- TEMPERATURE RANGE:- 25° to 350°C



Size	Part No	Dimensions are in mm				End Connection Size				Orifice
		A	B	C	D	E1	Code	E2	Code	
1/4"	PF_AGNV_14	72	23	55	18	BSPP	BP	BSPP	BP	4
1/2"	PF_AGNV_12	88	34	70	23	NPT	N	NPT	N	6
						BSPT	BT	BSPT	BT	
						OD	OD	OD	OD	

MOC	Code	End Type	Code	Packing	Code	Pressure	CFT		PTFE	
SS316	S6	Male	M	CFT	C	3000 psig	6000 psig	3000 psig	6000 psig	
SS304	S4	Female	F	PTFE	PE	200 deg.c	25 deg.c	150 deg.c	25 deg.c	
HC276	HC6									
Monel400	MN4									
Inconel 625	IN6									

Item Code	Item Discription
PF_AGNV_14_BPM_BPF_S6_C	Angular Needle Valve 1/4" BSPP(M) X BSPP(F)_SS316_CFT

- 1) Dimension are for reference only Are Subject to chnage.
- 2) Customize End Connection & Sizes are Available as per Requirement.

# STRAIGHT NEEDLE VALVE

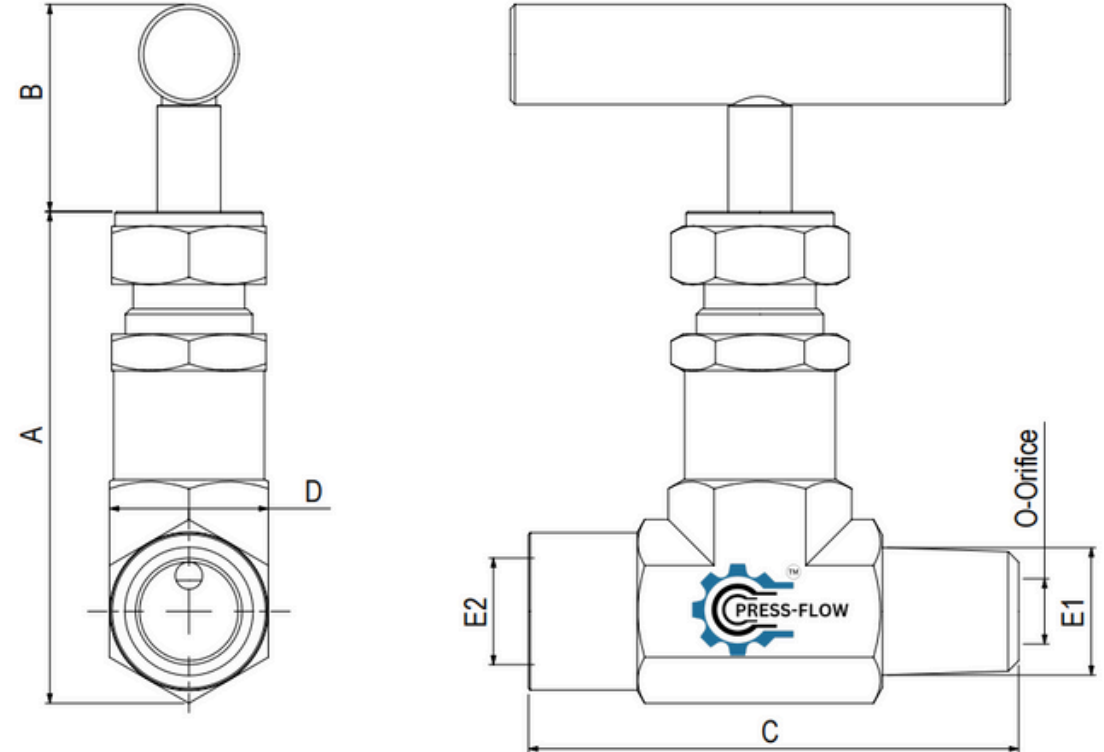


## PRODUCT DESCRIPTION :-

Our compact straight needle valve is engineered for exceptional precision and reliability, making it the ideal choice for high-pressure and high-temperature applications across a range of industries. With optimized operating torque for enhanced control, extended service life, and replaceable seats and packing, this valve is designed to meet the demands of critical systems. It undergoes 100% hydro-static and pneumatic factory testing to ensure consistent performance. Trusted in oil and gas, pharmaceuticals, petrochemicals, chemical industries, water treatment, and hydraulics, our valve guarantees superior performance and durability.

## TECHNICAL SPECIFICATION:-

- MOC: - STAINLESS STEEL 316 ,304 , HASTELLOY 276 , INCONEL 625 , MONEL 400
- SIZES:- 1/4" , 1/2" ARE AVAILABLE
- END CONNECTIONS:- NPT , BSPP , BSPT ,OD ( MALE & FEMALE )
- SEAT: PTFE , CFT
- PRESSURE RATING:- UPTO 10,000 PSI AT 25°C
- TEMPERATURERANGE:- 25 to350°C



Size	Part No	Dimensions are in mm				End Connection Size				Orifice
		A	B(Max-Min)	C	D	E1	Code	E2	Code	
1/4"	PF_STNV_14	55	23	54	18	BSPP	BP	BSPP	BP	4
1/2"	PF_STNV_12	82	34	72	27	NPT	N	NPT	N	5
						BSPT	BT	BSPT	BT	
						OD	OD	OD	OD	

MOC	Code	End Type	Code	Packing	Code		CFT		PTFE	
SS316	S6	Male	M	CFT	C	Pressure	3000 psig	6000 psig	3000 psig	6000 psig
SS304	S4	Female	F	PTFE	PE	Tempreture	200 deg.c	25 deg.c	150 deg.c	25 deg.c
HC276	HC6									
Monel400	MN4									
Inconel 625	IN6									

Item Code	Item Discription
PF_STNV_14_BPM_BPF_S6_C	Straight Needle Valve 1/4" BSPP(M) X BSPP(F)_SS316_CFT

- 1) Dimension are for Reference only Are Subject to chnage.
- 2) Customize End Connection & Sizes are Available as per Requirement.



# PRESSURE RELIEF VALVE

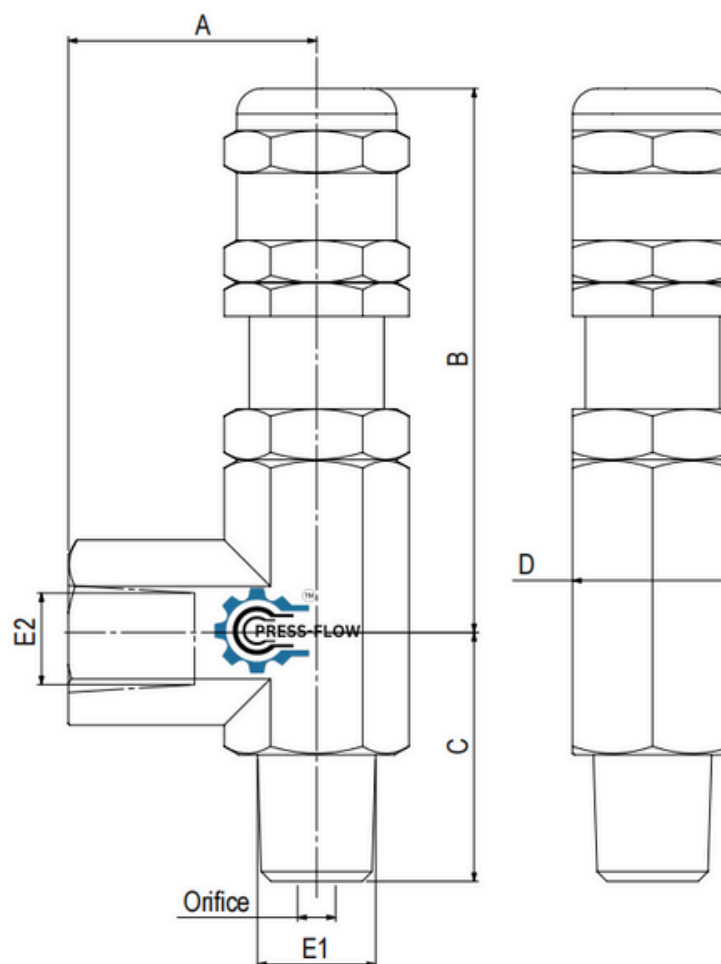


## PRODUCT DESCRIPTION: -

Protect your systems with our high-performance pressure relief valve, engineered to maintain optimal pressure and prevent dangerous overpressure situations. Designed for accuracy and reliability, it ensures consistent performance in both low and high-pressure environments. Perfect for industries like oil and gas, pharmaceuticals, petrochemicals, chemical processing, water treatment, and hydraulics, our valve offers the ideal solution for enhanced safety, efficiency, and long-term reliability. Trust in our technology to safeguard your operations and keep your systems running smoothly.

## TECHNICAL SPECIFICATION: -

- MOC: - STAINLESS STEEL 316 , 304 , HASTELLOY 276 , INCONEL 625 , MONEL 400
- SIZES:- 1/4" 1/2" ARE AVAILABLE.
- O RING : VITON , KARLEZ
- END CONNECTIONS: NPT , BSPP (MALE & FEMALE).
- OPENING SET PRESSURE - 50PSI TO 5000 PSI.



Size	Part No	Dimensions are in mm				End Connection Size				Orifice
		A	B	C	D	E1	Code	E2	Code	
1/4"	PF_PRV_14	30	65	30	19	BSPP	BP	BSPP	BP	4.5
1/2"	PF_PRV_12	35	65	39	27	NPT	N	NPT	N	4.5

MOC	Code	End Type	Code
SS316	S6	Male	M
SS304	S4	Female	F
HC276	HC6		
Monel400	MN4		
Inconel 625	IN6		

Item Code	Item Discription
PF_PRV_14_BPM_BPF_S6	Pressure Relief Valve 1/4" BSPP(M) X BSPP(F)_SS316

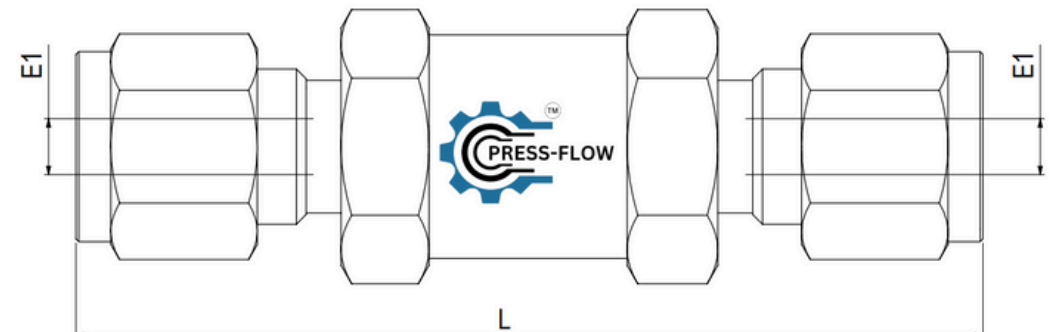
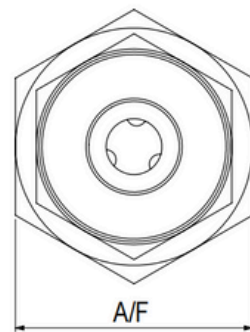
- 1) Dimension are for Reference only Are Subject to change.
- 2) Customize End Connection & Sizes are Available as per Requirement.

## PRODUCT DESCRIPTION: -

Our advanced check valve automatically prevents backflow, protecting your equipment and systems from potential damage. With minimal resistance to flow, it ensures smooth and efficient operation. Perfectly suited for critical industries such as oil and gas, chemical processing, and water treatment, our check valve delivers reliable performance, safeguarding your operations and improving system efficiency.

## TECHNICAL SPECIFICATION: -

- MOC:- STAINLESS STEEL 316 , 304 , HASTELLOY 276 , INCONEL 625 , MONEL 400
- SIZES:- 1/4" , 1/2" ARE AVAILABLE.
- SEAL:- VITON
- END CONNECTIONS:- NPT, BSPP , OD (MALE& FEMALE)
- PRESSURE RATING: UPTO 6000 PSI AT 25°C
- CRACKING PRESSURE- 0.2 to 0.5 bar.



Size	Part No	Dimensions are in mm		End Connection Size				Orifice
		A/F	L	E1	Code	E2	Code	
1/4"	PF_NRV_14	17	50	BSPP	BP	BSPP	BP	4
1/2"	PF_NRV_12	29	90	NPT	N	NPT	N	4
				OD	OD	OD	OD	4

MOC	Code	End Type	Code
SS316	S6	Male	M
SS304	S4	Female	F
HC276	HC6		
Monel400	MN4		
Inconel 625	IN6		

Item Code	Item Discription
PF_NRV_14_BPM_BPF_S6	Non Return Valve 1/4" BSPP(M) X BSPP(F)_SS316

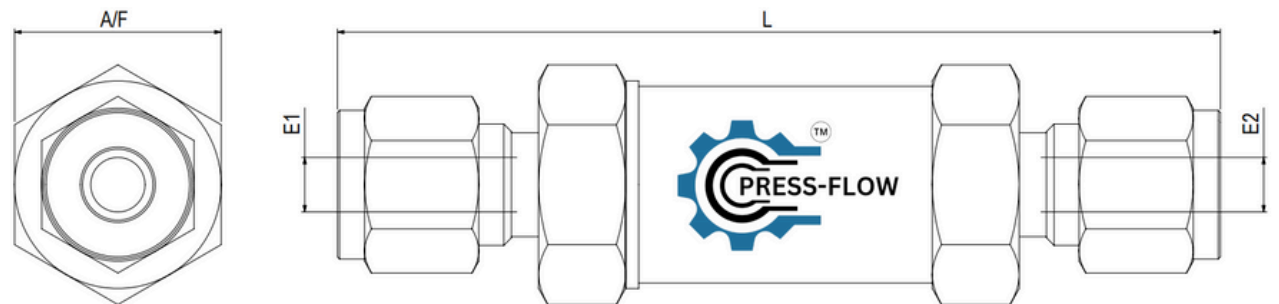
- 1) Dimension are for Reference only Are Subject to change.
- 2) Customize End Connection & Sizes are Available as per Requirement.

## PRODUCT DESCRIPTION :-

These systems are specifically designed to purify or refine liquids by effectively removing unwanted particles, impurities, and contaminants. Operating through selective filtration or trapping mechanisms, they ensure that fluids remain safe, clean, and free from harmful substances, thereby optimizing performance and maintaining operational efficiency across various applications.

## TECHNICAL SPECIFICATION: -

- MOC:- STAINLESS STEEL 316 , 304 , HASTELLOY 276 , INCONEL 625 , MONEL 400
- SIZES:- 1/8" to 1/2" , 3 mm to 12 mm OD ARE AVAILABLE.
- SEAL:- Aluminium Ring
- END CONNECTIONS:- NPT , BSPP , OD (MALE&FEMALE)



Size	Part No	Dimensions are in mm		End Connection Size				Orifice
		A/F	L	E1	Code	E2	Code	
1/8"	PF_FLT_18	19	79	BSPP	BP	BSPP	BP	2.5
1/4"	PF_FLT_14	19	81	NPT	N	NPT	N	5
3/8"	PF_FLT_38	21	90	OD	OD	OD	OD	6.5
1/2"	PF_FLT_12	21	92					7.5

MOC	Code	End Type	Code
SS316	S6	Male	M
SS304	S4	Female	F
HC276	HC6		
Monel400	MN4		
Inconel 625	IN6		

Item Code	Item Discription
PF_FLT_14_BPM_BPF_S6	Filter 1/4" BSPP(M) X BSPP(F)_SS316

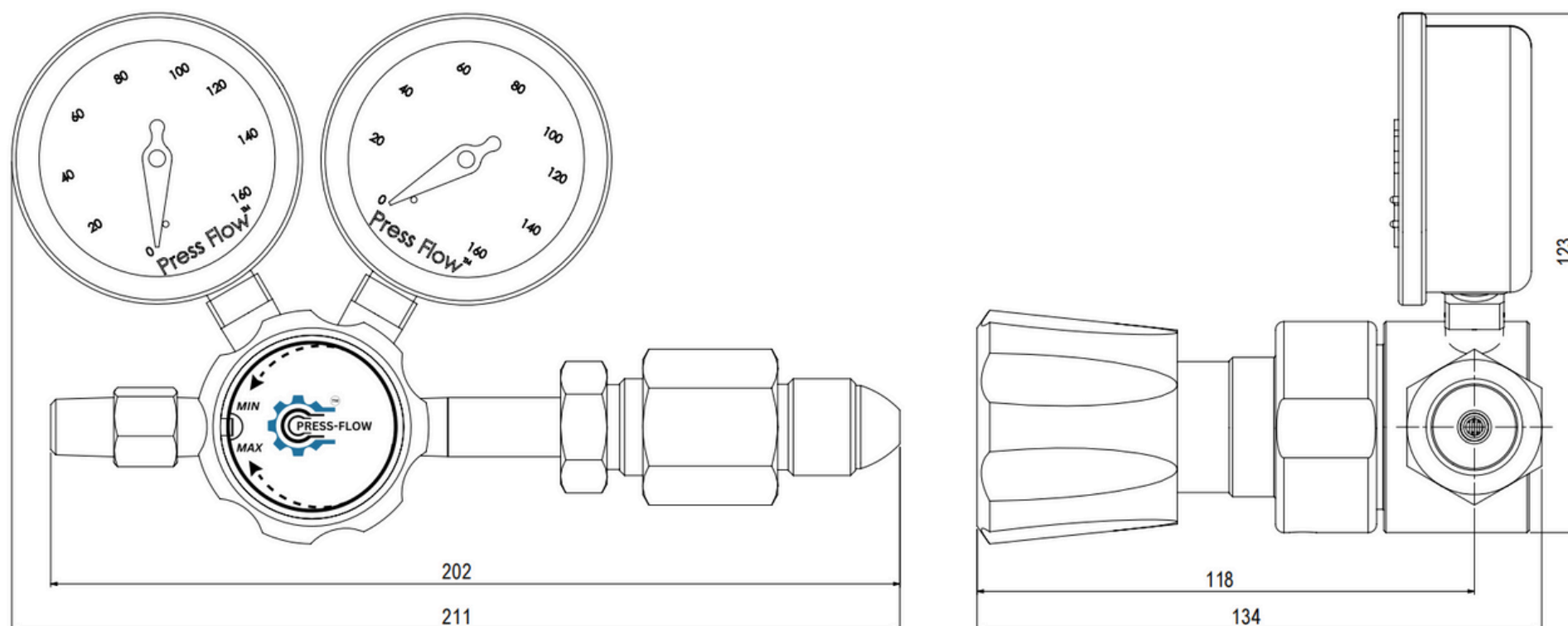
- 1) Dimension are for Reference only Are Subject to change.
- 2) Customize End Connection & Sizes are Available as per Requirement.

## PRODUCT DESCRIPTION: -

Compact, piston-sensed design with panel mounting and self-venting feature. Includes an adjustable stop to control maximum outlet pressure, preventing over-pressurization. Rated for up to 3000 psi (207 bar), ideal for high-pressure and critical applications.

## TECHNICAL SPECIFICATION: -

- MOC:-STAINLESS STEEL 316
- SIZES:- 1/4"
- SEAT:- CFT , PEEK
- END CONNECTIONS:- NPT (FEMALE X FEMALE)
- PRESSURE RANGE:- 160 BAR TO 200 BAR OUTLET PRESSURE AT 25°C

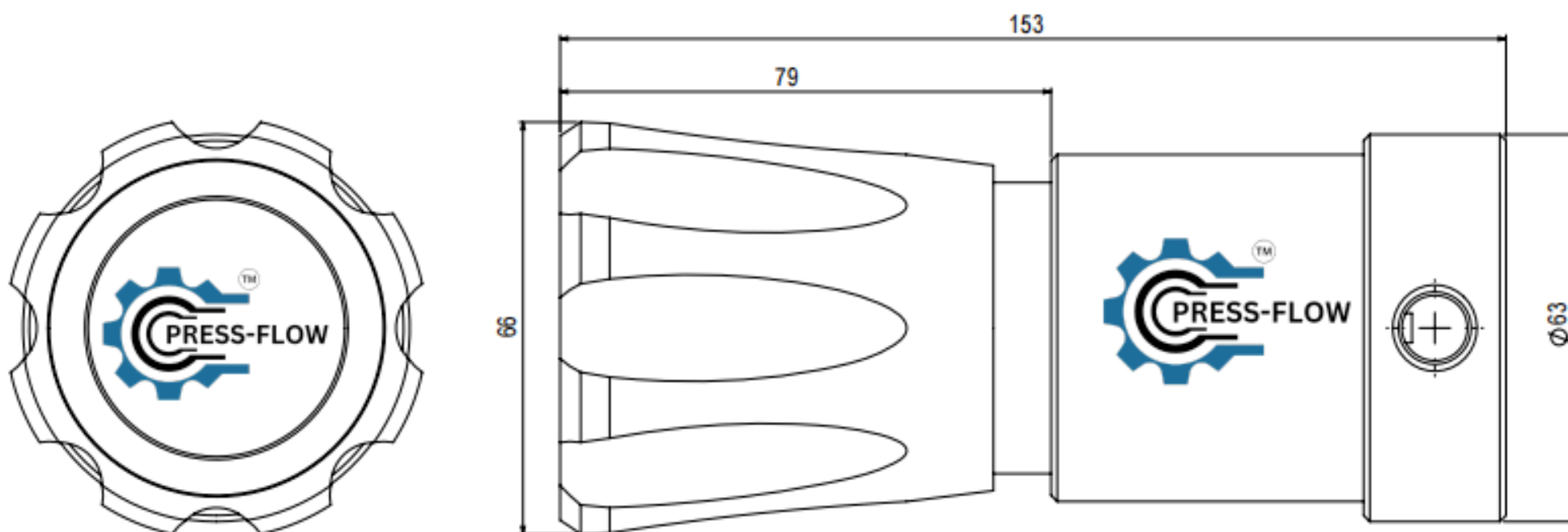


## PRODUCT DESCRIPTION: -

The Manual Back Pressure Regulator is a precision-engineered device designed to maintain a stable upstream pressure by allowing manual adjustment of the control knob. This enables users to fine-tune the pressure to their specific requirements, ensuring optimal system performance. The integrated gauge provides real-time pressure readings, allowing for accurate monitoring and adjustments as needed. By effectively managing excess pressure and preventing fluctuations, this regulator helps maintain a consistent and reliable gas flow. Its robust and reliable design makes it a critical component in various industrial and laboratory applications where precise pressure control is essential for efficiency, safety, and equipment protection.

## TECHNICAL SPECIFICATION: -

- MOC:- STAINLESSSTEEL 316 , HASTELLOY 276 , INCONEL 625
- PORT SIZE& TYPE: INLET/OUTLET END CONNECTION : 1/4 NPT Female
- SEAL:- VITON, KALREZ-O RING.
- SEAT MATERIAL:- PTFE.
- RELEASE PRESSURERANGE:-6 BAR TO 400 BAR.



**PRODUCT DESCRIPTION: -**

A thermowell protects temperature sensors (e.g., thermocouples, RTDs) from direct contact with process fluids or harsh environments, extending sensor life and simplifying maintenance. It enables sensor removal without disrupting the process and is compatible with liquids, gases, and slurries, safeguarding against chemical reactions and wear.

**TECHNICAL SPECIFICATION: -**

- MOC: STAINLESS STEEL 316 , 304 , HASTELLOY 276 , INCONEL 625 , MONEL 400
- SIZES:- 1/8" To 1/2 ARE AVAILABLE.
- THREAD CONNECTIONS:- BSPP , BSF ,NPT.
- DESIGN TYPES:- WELDED , THREADED , FLANGE MOUNTING.
- SHANKDESIGN: STRAIGHT , TAPERED , STEPPED



## PRODUCT DESCRIPTION: -

Our precision-engineered fittings are designed to meet a wide range of industrial applications, ensuring durability, reliability, and superior performance. Manufactured from high-quality materials, these fittings are suitable for demanding environments, offering excellent resistance to corrosion, high pressures, and extreme temperatures.

## TECHNICAL SPECIFICATION: -

- Material Options: Stainless Steel 316 , 304 , Hastelloy C-276 , Inconel 625, Monel 400
- Size Range: Available in sizes from 1/16" to 2", catering to various piping and tubing requirements.
- End Connections: BSPP , BSF , NPT , OD
- Fitting Types: Pipe Fittings , Tube Fittings , 37° Flare Fittings
- Fitting Configurations: Elbow , Tee , Connector , Adapter , Union





 *Valson Textile Mills, LBS Road, Bhandup (W) Near Amar equipments Pvt Ltd, Mumbai - 40078, INDIA*

 [Sales@pressflowequipment.com](mailto:Sales@pressflowequipment.com)



*+91-96191 08006 /  
+91-9282139118*



[www.pressflowequipment.com](http://www.pressflowequipment.com)